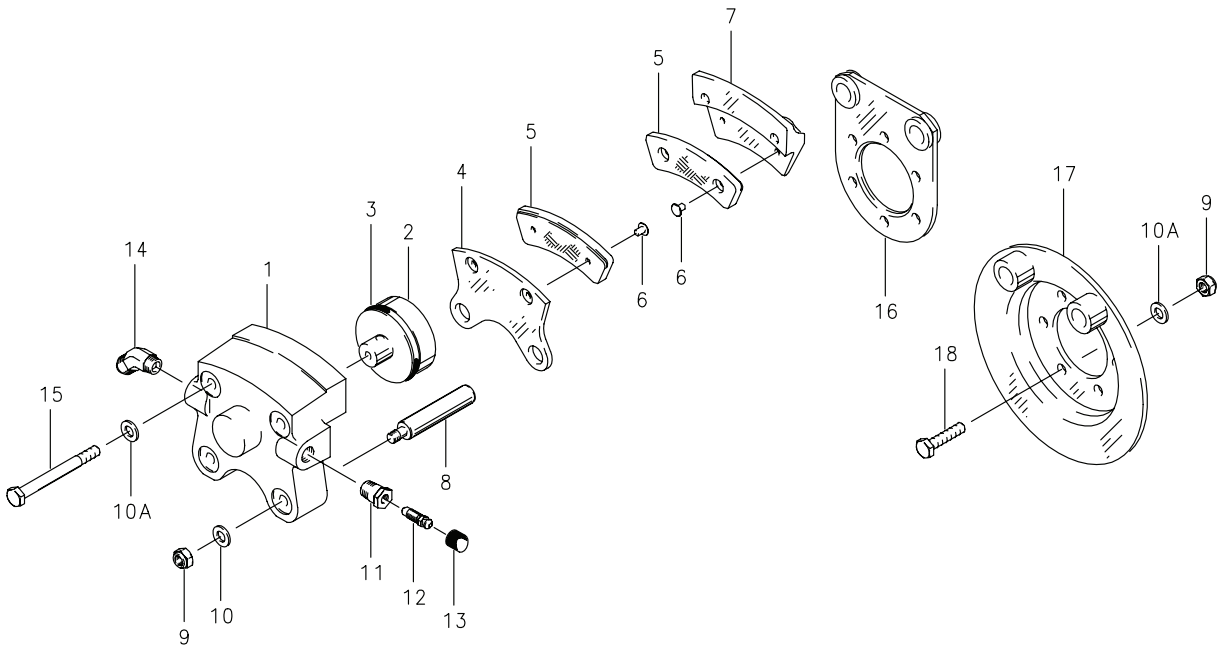


30-30, 30-55, 30-55B, 30-79, 30-79A, 30-79B, 30-214, 30-214B, 30-224

Organic Lining



Illustrated Parts List

30-30, 30-55, 30-55B, 30-79, 30-79A, 30-79B, 30-214, 30-214B, 30-224

Organic Lining

| FIG. | PART NUMBER | DESCRIPTION | QTY. PER ASSY. | | | | | | | | |
|------|-------------|--------------------------|----------------|---|---|---|---|---|---|---|---|
| | | | A | B | C | D | E | F | G | H | I |
| | 091-02300 | Cylinder Assy. | | 1 | 1 | | | | | | |
| | 091-05500 | Cylinder Assy. | | | | 1 | | | | | |
| | 091-07000 | Cylinder Assy. | | | | | | 1 | | | |
| | 091-07100 | Cylinder Assy. | | | | | 1 | | | | |
| | 091-12000 | Cylinder Assy. | 1 | | | | | | | | |
| | 091-20400 | Cylinder Assy. | | | | | | | | | 1 |
| | 091-21100 | Cylinder Assy. | | | | | | | | 1 | |
| 1 | 061-01900 | Cylinder | 1 | | | | | | 1 | 1 | |
| | 061-02100 | Cylinder | | 1 | 1 | | | | | | 1 |
| | 061-14200 | Cylinder | | | | 1 | 1 | 1 | | | |
| | 092-01700 | Piston Assy. | 1 | | | | | | 1 | 1 | |
| | 092-01600 | Piston Assy. | | 1 | 1 | 1 | 1 | 1 | | | 1 |
| | 062-01500 | Piston | | 1 | 1 | 1 | 1 | 1 | | | 1 |
| 2 | 062-01600 | Piston | 1 | | | | | | 1 | 1 | |
| | 101-02700 | O-Ring (MS28775-222) | | 1 | 1 | 1 | 1 | 1 | | | 1 |
| 3 | 101-05200 | O-Ring (MS28775-224) | 1 | | | | | | 1 | 1 | |
| | 073-01100 | Pressure Plate Assy. | | 1 | 1 | 1 | 1 | 1 | 1 | 1 | 1 |
| | 073-03600 | Pressure Plate Assy. | 1 | | | | | | | | |
| 4 | 063-01200 | Pressure Plate | 1 | 1 | 1 | 1 | 1 | 1 | 1 | 1 | 1 |
| 5 | 066-10500 | Lining | 1 | 1 | 1 | 1 | 1 | 1 | 1 | 1 | 1 |
| 6 | 105-00200 | Rivet | 2 | 2 | 2 | 2 | 2 | 2 | 2 | 2 | 2 |
| | 074-01000 | Back Plate Assy. | | 1 | 1 | 1 | 1 | 1 | 1 | 1 | 1 |
| | 074-02900 | Back Plate Assy. | 1 | | | | | | | | |
| 7 | 064-01500 | Back Plate | 1 | 1 | 1 | 1 | 1 | 1 | 1 | 1 | 1 |
| 5 | 066-10500 | Lining | 1 | 1 | 1 | 1 | 1 | 1 | 1 | 1 | 1 |
| 6 | 105-00200 | Rivet | 2 | 2 | 2 | 2 | 2 | 2 | 2 | 2 | 2 |
| 8 | 069-00400 | Anchor Bolt | 2 | 2 | 2 | 2 | 2 | 2 | | | |
| | 069-01900 | Anchor Bolt | | | | | | | 2 | 2 | 2 |
| 9 | 094-10300 | Nut (MS21044-N4) (2) | 8 | 2 | 2 | 2 | 2 | 2 | 2 | 2 | 2 |
| 10 | 095-10200 | Washer (AN960-416L) | 4 | 4 | 4 | 4 | 4 | 4 | 4 | 4 | 4 |
| 10A | 095-10400 | Washer (AN960-416) (2) | 6 | | | | | | | | |
| 11 | 081-00100 | Seat-Bleeder | 1 | 1 | 1 | 1 | 1 | | 1 | 1 | 1 |
| 12 | 079-00300 | Screw-Bleeder | 1 | 1 | 1 | 1 | 1 | | 1 | 1 | 1 |
| 13 | 183-00100 | Cap-Bleeder | 1 | 1 | 1 | 1 | 1 | | 1 | 1 | 1 |
| | 081-00300 | Seat-Bleeder (1) | | | | | | 1 | | | |
| 14 | 101-00100 | O-Ring (MS28775-006) (1) | | | | | | 1 | | | |
| | 079-00500 | Screw-Bleeder (1) | | | | | | 1 | | | |
| | 104-00300 | Fitting (AN816-4D) | | | | | | 1 | | | |
| | 104-00400 | Fitting (MS20822-4D) | | | | | 1 | | | | |
| | 104-00500 | Fitting (MS20823-4D) | 1 | | 1 | 1 | | | | | |
| 15 | 103-11600 | Bolt | 2 | 2 | 2 | 2 | 2 | 2 | 2 | 2 | 2 |
| 16 | 075-01600 | Torque Plate Assy. | | 1 | | | | | | | |
| | 075-05600 | Torque Plate Assy. | | | 1 | | | | | | |
| | 075-07700 | Torque Plate Assy. | | | | | | | 1 | | |
| | 075-07800 | Torque Plate Assy. | | | | | 1 | | | | |
| | 075-07900 | Torque Plate Assy. | | | | 1 | | | | | |
| | 075-09100 | Torque Plate Assy. | | | | | | 1 | | | |
| | 075-14200 | Torque Plate Assy. | | | | | | | | | 1 |
| | 075-19500 | Torque Plate Assy. | | | | | | | 1 | | |
| 17 | 075-12100 | Torque Plate Assy. | 1 | | | | | | | | |
| 18 | 103-61100 | Screw-Sock. Hd. (2) | 6 | | | | | | | | |

Assy. Number

- A) 30-30
- B) 30-55
- C) 30-55B
- D) 30-79
- E) 30-79A
- F) 30-79B
- G) 30-214
- H) 30-214B
- I) 30-224 (3)

NOTES:

- (1) Bleeder Assy. special for 30-79B, not shown.
- (2) Hardware also used on 075-12100 Torque Plate Assy.
- (3) This brake is not FAA-TSO Approved – Order from Airframe Manufacturer only.

